

NOTES:

- MATERIALS AND FINISHES:**
 - INSULATOR: GLASS FILLED PLASTIC UL 94 V-0 RATED, GREY RAL 7035
 - CONTACTS: COPPER ALLOY, PLATING MATING AREA: 0,8 µM GOLD OVER NICKEL
PLATING TERMINATION AREA: 0,8-1,5 µM TIN (SN 100)
- ELECTRICAL CHARACTERISTICS:**

CREEPING AND CLEARANCE DISTANCE; MINIMUM SPACING:

 - CONTACTS 5-16 TO ANY OTHER CONTACT WITHIN THIS GROUP: 0,7 MM
 - CONTACTS 17-24 TO ANY OTHER CONTACT WITHIN THIS GROUP: 2,5 MM
 - CONTACT 25 TO 26: 5,5 MM
 - CONTACTS 27-34 TO ANY OTHER CONTACT WITHIN THIS GROUP: 1,4 MM
 - CONTACTS 13-16 TO 17-20: 3,0 MM
 - CONTACTS 21-24 TO 25-26: 4,0 MM
 - CONTACTS 25-26 TO 27-29: 2,0 MM

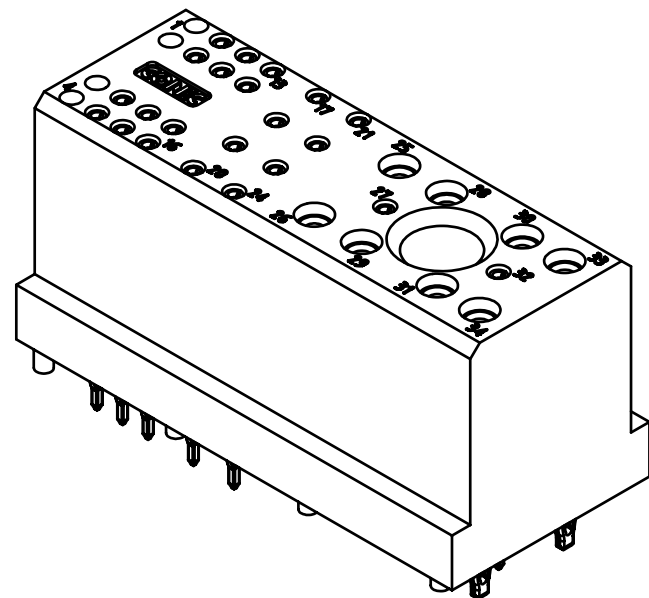
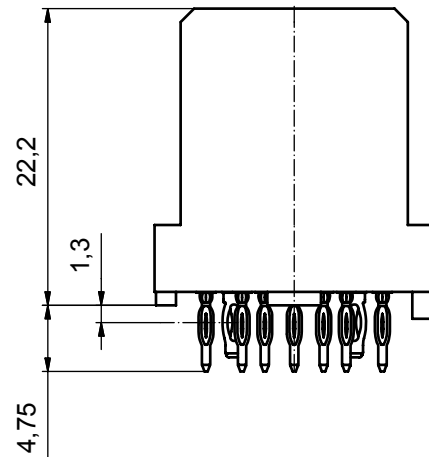
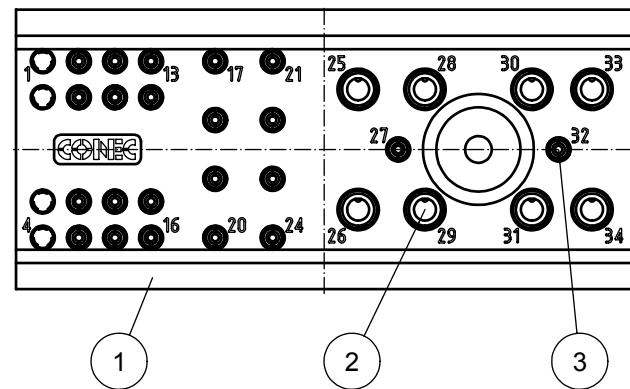
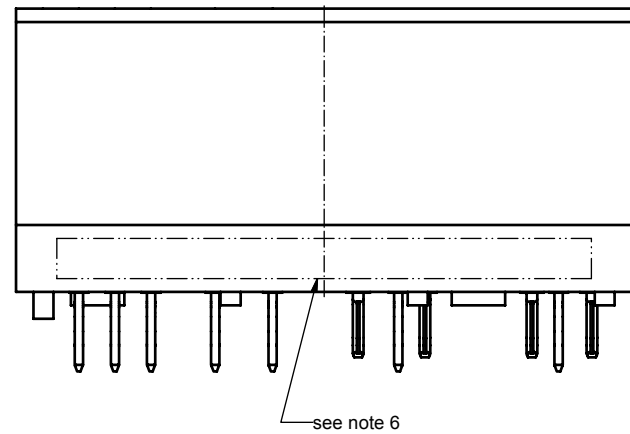
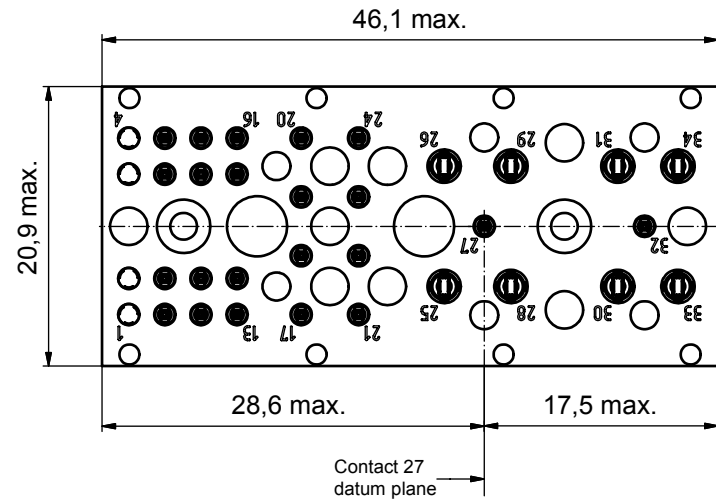
CONTACT CURRENT RATING:

 - POWER CONTACTS: 16 AMPERES MINIMUM, TESTED PER CSA C22.2 NO. 182.3-M1987, ALL CONTACTS UNDER LOAD
 - SIGNAL CONTACTS: 2 AMPERES NOMINAL

INITIAL CONTACT RESISTANCE PER IEC 512-2, TEST 2b:

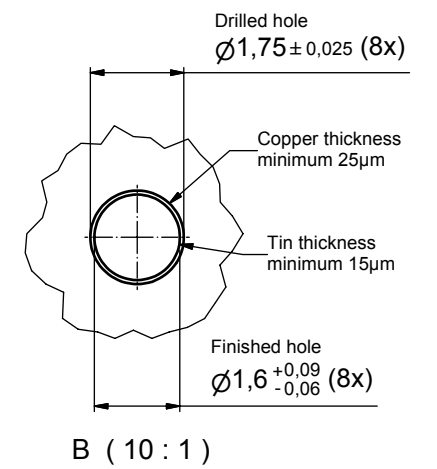
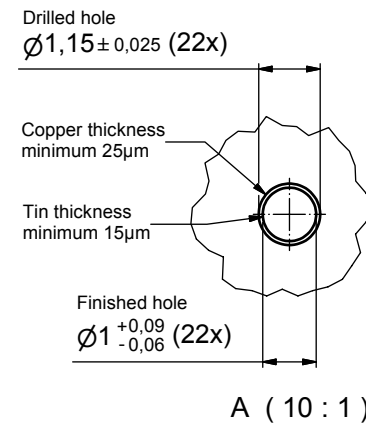
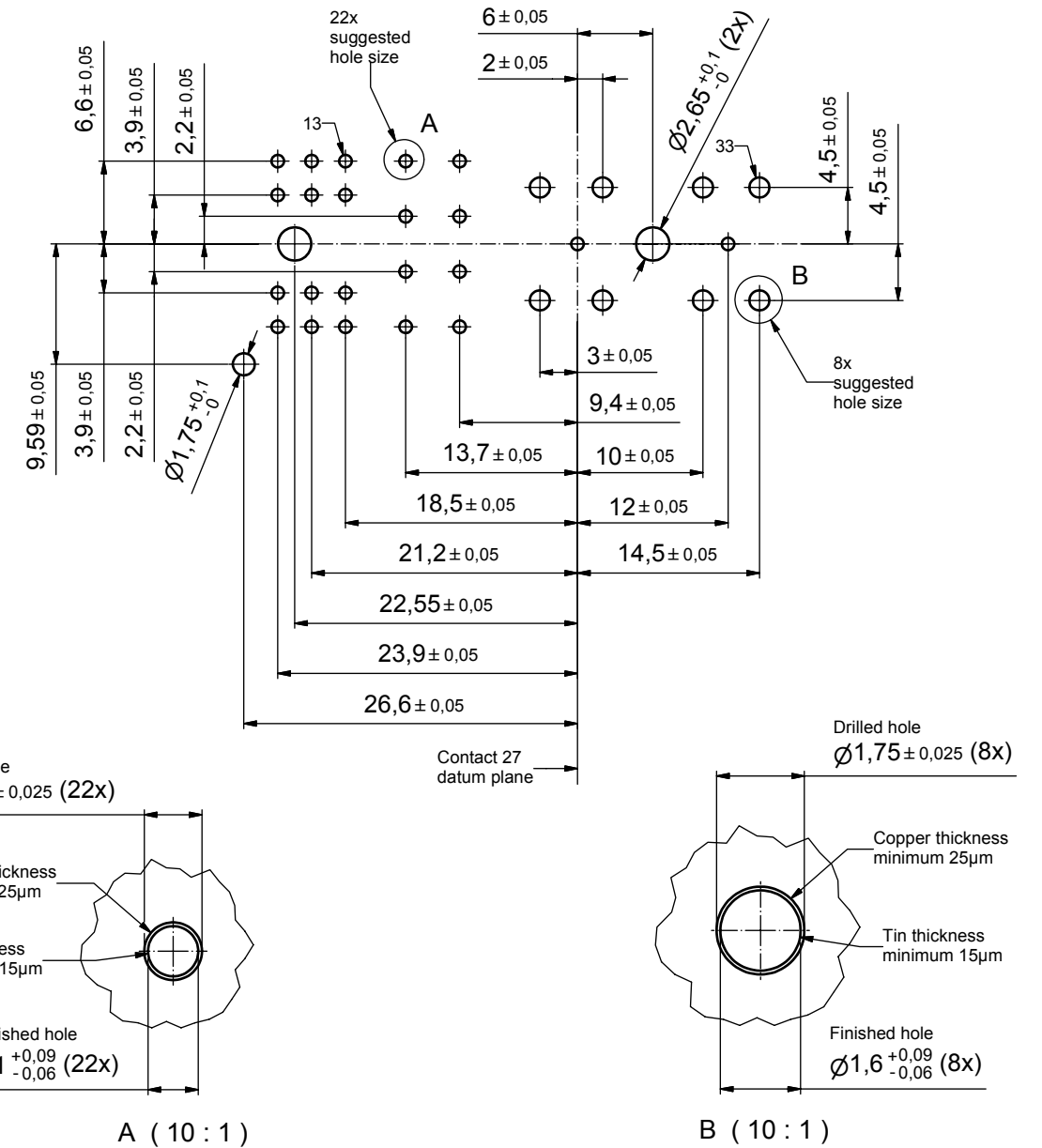
 - POWER CONTACTS: 0,0022 OHM MAX.
 - SIGNAL CONTACTS: 0,0085 OHM MAX.

INSULATION RESISTANCE: 5 G OHM PER IEC 512-2, TEST 3a, METHOD A
- POSITIONS WITHOUT CONTACTS:** 1, 2, 3, 4
- WORKING TEMPERATURE:** -55°C TO +125°C
- PRESS-FIT PART OF CONTACTS ARE PATENT PROTECTED**
- CONNECTOR IS PART MARKED:** PART-NO. CONEC ABC



Directive 2002/95/EC
„RoHS“
Compliant

PCB hole pattern



22	Signal contact (Pos. 5-24,27,32)	3		
8	Power contact (Pos. 25,26,28-31,33,34)	2		
1	Case 34pos. female	1		
quantity	part description	item	dwg no. / norm	material

partlist		scale:	2,5:1 (10:1)
finish:	see notes	tolerance	ISO 2768-m
		dim. in mm	
date	name	title:	
drawn	Mankopf	FEMALE CONNECTOR 30pos.	
appd.	Kühle	PRESS-FIT STRAIGHT	
norm		AdvancedTCA	
d-old		dwg no:	Inventor
		46K2A001	
		part no:	ATC30W08FGE1S5X

THIS DRAWING MAY NOT BE COPIED OR REPRODUCED IN ANY WAY, AND MAY NOT BE PASSED ON TO A THIRD PARTY WITHOUT WRITTEN PERMISSION. OWNERSHIP AND COPYRIGHT OF CONEC GmbH

DO NOT ALTER CAD DRAWING BY HAND



DIN-A2
sh: 1